



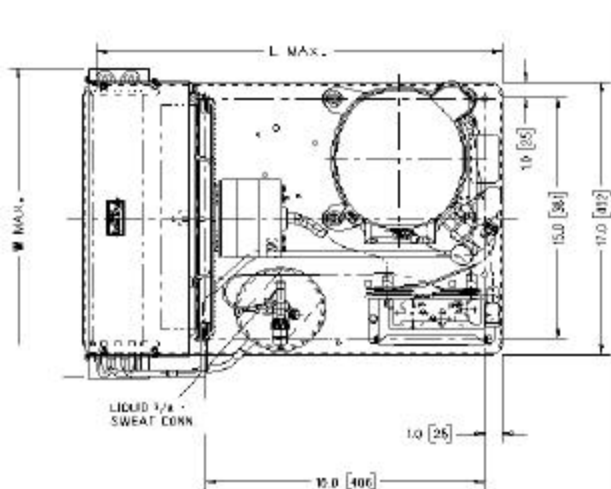
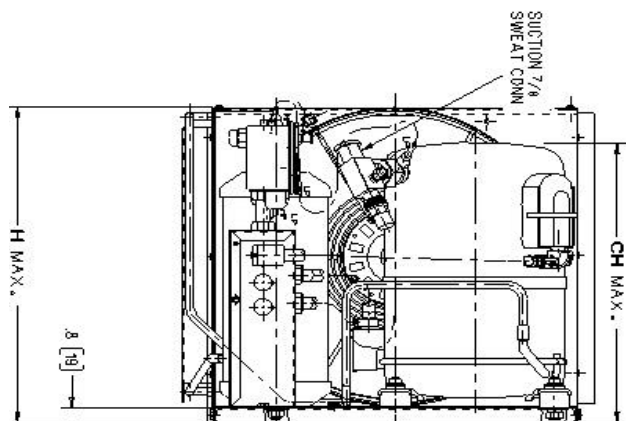
Tecumseh Hermetic Condensing Units

Model: AWA2479ZDXDC

R-404A

2 HP

AIRCOOLED



Note: Dimensioning = Inches [mm]

POE

Model	Dimensions, inches				Line Connection*		Pumpdown	Air	Oil Ch	Gr. Wt.
	L	W	H	CH	Suction	Liquid	90 °F 90%	SCFM	Oz.	Lbs.
AWA2479ZDXDC	24.0	19.4	16.2	15.6	7/8"S	3/8"S	9.8	782	38	119

* F = Flare, S = Solder, RF or RS = Rotolock with Flare or Solder Connections, C = Compression Fitting
 Factory charge: 20 PSIG Nitrogen – **MUST BE EVACUATED**

60 Hz Performance

Evaporator		Ambient Temps											
		90°F				100°F				110°F			
T, °F	PSIG	BTUH	Watts	Head	Cond T	BTUH	Watts	Head	Cond T	BTUH	Watts	Head	Cond T
-40	4.3	2337	1072	224	96	2264	1122	260	106	1739	1058	290	114
-35	6.8	3196	1207	230	97	2892	1226	264	107	2269	1161	296	116
-30	9.6	4080	1346	236	99	3561	1339	270	109	2838	1274	303	117
-25	12.6	4990	1489	243	101	4271	1463	276	111	3446	1400	310	119
-20	16.0	5925	1636	251	103	5022	1596	283	112	4093	1536	318	121
-15	19.6	6885	1786	259	106	5814	1740	292	115	4779	1684	327	123
-10	23.6	7871	1940	269	108	6648	1893	301	117	5504	1843	337	125
-5	27.9	8882	2098	279	111	7523	2057	312	119	6268	2014	347	128
0	32.6	9918	2260	291	113	8439	2230	324	122	7071	2196	359	130
+5	37.7	10980	2425	303	116	9396	2414	336	125	7912	2390	371	133
+10	43.2	12067	2595	316	119	10394	2607	350	128	8793	2595	384	135

Return gas temp. 40°F, 5°F sub cooling

Specifications:

Model	AWA2479ZXDXC
Nominal Volts-Hz-Ph	208/230-60-1
Unit Bill of Material	2C2114-9
Voltage Range	187 to 253
Min. Circuit Ampacity	17.1
Max. Fuse Size (amps)	25
Compressor Model	AWA2460ZXD
Comp. Bill of Material	AW613ET-111
Alt. Comp. Bill of Mat.	-----
Compressor RLA/LRA	12.6/86.0
Overload	Internal
Relay	820ARR3J50
Alternate Relay	82965
Start Capacitor	85PS330D17
Start Capacitor Rating	145-175/330
Run Cap.	85PR370F21
Run Cap. Rating	45/370 MFD/Volt
Fan Motor	810S050A99
Fan RLA	1.30
Fan Blade	51568
Condenser	50857-1
Fan Shroud	70727-1
Unit Drawing	SU1918
Electrical Drawing	91028-1

Fan Guard	70831
Cap. Cab. Assy.	AE1397-032
Pressure Control	Dual 84087
Receiver Tank	51081-1
Rec. Tank RL Valve	31581-1 (3/8" S)
Suction Rotolock	31529-1 (7/8" S)
O' Ring Gasket	30334

Optional Outdoor Enclosure TP-201D

