



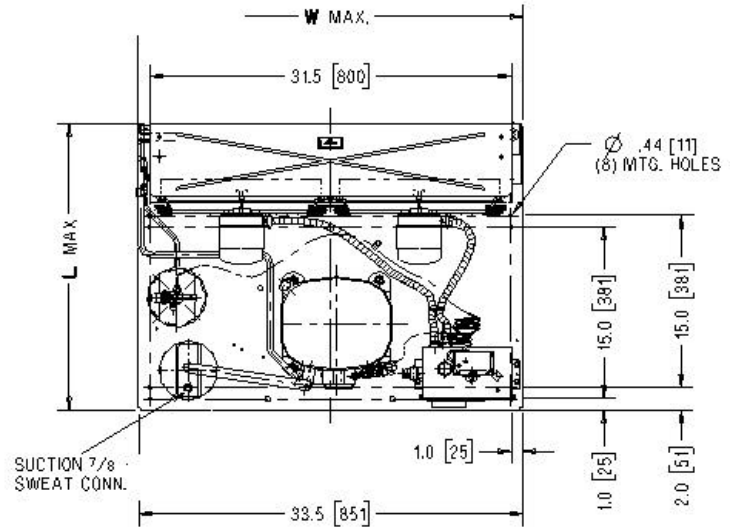
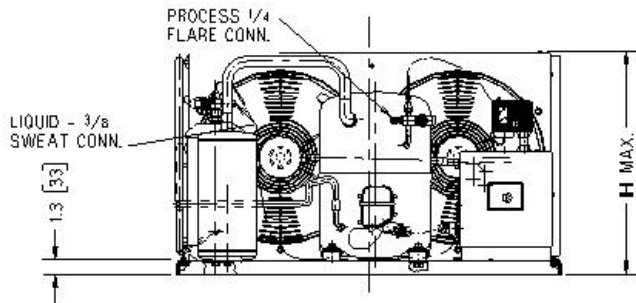
Tecumseh Products Company Hermetic Condensing Units

Model: AVA2512ZXTXM

R-404A

3 HP

AIRCOOLED



Note: Dimensioning = Inches [mm]

POE

Model	Dimensions, inches				Line Connection*		Pump down	Air	Oil Ch	Gr. Wt.
	L	W	H	CH	Suction	Liquid	90 °F 90%	SCFM	Oz.	Lbs.
AVA2512ZXTXM	25.0	33.48	19.5	14.6	7/8"S	3/8"S	11.6	1698	54	200

* F = Flare, S = Solder, RF or RS = Rotolock with Flare or Solder Connections, C = Compression Fitting

Factory charge: 20 PSIG Nitrogen – **MUST BE EVACUATED**

60 Hz Performance

Evaporator		Ambient															
		80deg F				90 deg F				100 deg F				110 deg F			
deg F	PSIG	BTUH	Watts	Head	Cond T	BTUH	Watts	Head	Cond T	BTUH	Watts	Head	Cond T	BTUH	Watts	Head	Cond T
-40	4.3	4099	1690	197	87	4139	1661	231	98	3245	1501	268	108	2429	822	292	115
-35	6.8	5479	1854	205	90	5313	1828	238	100	4296	1677	273	110	3499	1151	300	117
-30	9.6	6904	2028	213	92	6531	2005	244	102	5387	1863	278	111	4582	1470	308	119
-25	12.6	8373	2210	221	95	7794	2192	252	104	6518	2057	285	113	5678	1779	317	121
-20	16.0	9886	2401	229	97	9102	2389	260	106	7689	2260	292	115	6786	2078	326	123
-15	19.6	11444	2600	239	100	10454	2596	269	109	8900	2471	300	117	7907	2367	335	125
-10	23.6	13045	2809	248	102	11851	2813	278	111	10151	2692	309	119	9041	2646	345	128
-5	27.9	14690	3026	258	105	13292	3040	288	114	11442	2921	319	121	10187	2915	355	130
0	32.6	16380	3252	269	108	14778	3277	299	116	12772	3159	329	124	11345	3174	366	132
5	37.7	18114	3486	280	110	16309	3524	311	119	14142	3405	340	126	12517	3423	378	134
10	43.2	19892	3730	291	113	17884	3781	323	122	15553	3661	353	129	13701	3662	389	137

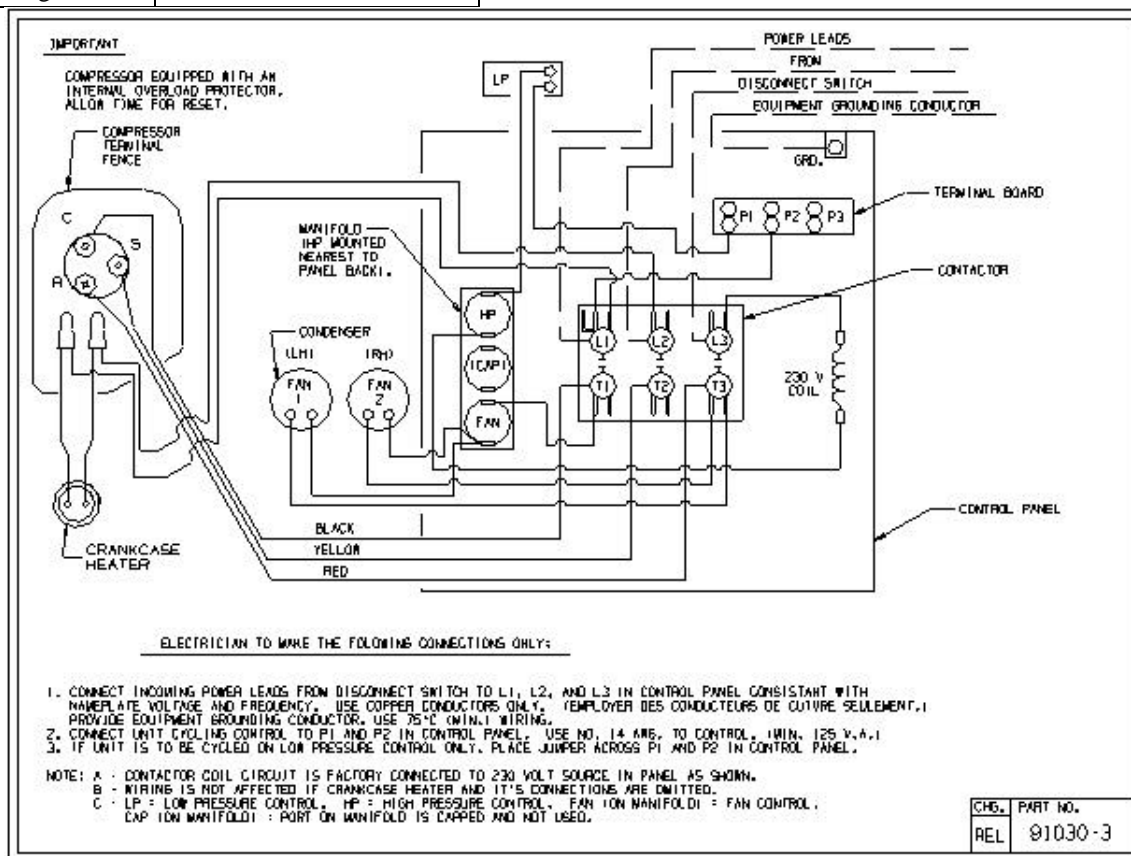
Return gas temp. 40°F, 5°F sub cooling

Specifications:

Model	AVA2512ZXTXM
Nominal Volts-Hz-Ph	200/230-60-3
Unit Bill of Material	2B3141-1 and -9
Voltage Range	180 to 253
Min. Circuit Ampacity	14.8
Max. Fuse Size (amps)	20
Compressor Model	AVA2490ZXT
Comp. Bill of Material	AV182RT-012
Alt. Comp. Bill of Mat.	-----
Compressor RLA/LRA	9.9/65.1
Overload	Internal
Fan Motor (2)	810S037B01
Fan RLA	1.10
Fan Blade (2)	51533-2
Condenser	50852
Dbl. Fan Shroud	70648-2
Unit Drawing	SU1920-1
Electrical Drawing	91030-3

Fan Guard (2)	70831
Accumulator	TK00042000
Control Panel Assy	AC1390-10
Pressure Control	High84095-2, Low 84026-5
Fan Switch	84096-1
Contactora	91014(30AMP-3PH, 230V)
Receiver Tank	51081-1
Rec. Tank RL Valve	31581-1 (3/8" S)
Process Valve	31583-1 (1/4" F)
O'Ring Gasket	30334

Optional Outdoor Enclosure-TP-241D



S.E.