



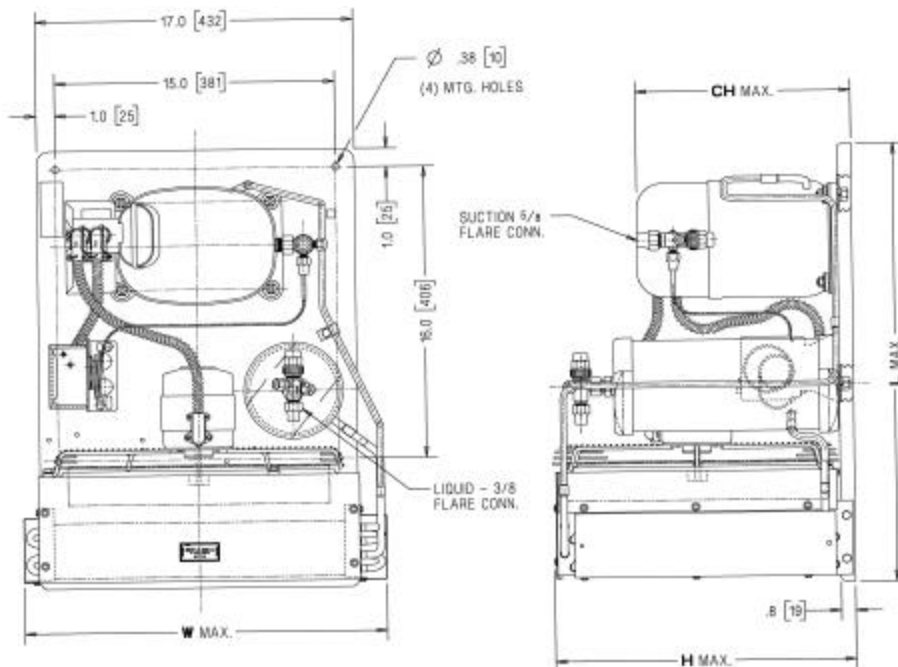
Tecumseh Hermetic Condensing Units

Model: AJA7494ZDXDC

R-404A

1 1/4 HP

AIRCOOLED



Model	Dimensions, inches				Line Connection*		Pumpdown	Air	Oil Ch	Gr. Wt.
	L	W	H	CH	Suction	Liquid				
AJA7494ZDXDC	24.3	17.8	16.2	11.6	5/8"Flare	3/8"Flare	10.8 lb's	840	28	

* F = Flare, S = Solder, RF or RS = Rotolock with Flare or Solder Connections, C = Compression Fitting

Factory charge: 20 PSIG Nitrogen – **MUST BE EVACUATED**

60 Hz Performance

Evaporator		Ambient Temperatures											
		80 °F			90 °F			100 °F			110 °F		
°F	PSIG	BTUH	Watts	Head	BTUH	Watts	Head	BTUH	Watts	Head	BTUH	Watts	Head
-10	23.6	5721	1284	221	4881	1273	250	4085	1230	278	3423	1193	311
-5	27.9	6551	1352	228	5627	1373	257	4816	1345	287	4023	1322	321
0	32.6	7355	1435	235	6352	1473	265	5500	1459	295	4607	1442	331
5	37.7	8152	1529	243	7074	1573	274	6158	1573	304	5188	1558	340
10	43.2	8963	1630	252	7810	1674	283	6813	1686	314	5776	1672	349
15	49.1	9806	1735	262	8578	1777	292	7485	1799	323	6384	1788	359
20	55.4	10701	1842	271	9396	1883	302	8198	1913	333	7025	1910	368
25	62.2	11666	1945	281	10279	1993	312	8972	2027	344	7709	2039	379
30	69.6	12720	2043	290	11247	2107	323	9830	2142	355	8451	2180	390
35	77.2	13884	2132	299	12315	2226	333	10795	2258	367	9260	2336	402
40	85.5	15176	2208	307	13503	2351	344	11886	2375	379	10150	2510	415

Return gas temp. 20°F superheat above 20°F evap., 40°F below 20°F evap.
5°F sub cooling

Specifications:

Model	AJA7494ZDXC
Nominal Volts-Hz-Ph	208/230-60-1
Unit Bill of Material	2B1106-1
Voltage Range	187 to 253
Min. Circuit Ampacity	12.6
Max. Fuse Size (amps)	20
Compressor Model	AJA7494ZXD
Comp. Bill of Material	AJ202ET-188
Alt. Comp. Bill of Mat.	N/A
Compressor RLA/LRA	9.2/54.0
Overload	Internal
Relay	820ARR3C71
Alternate Relay	N/A
Start Capacitor	85PS250B87
Start Capacitor Rating	216-259µf / 250V
Run Cap.	85PR370F20
Run Cap. Rating	25µf / 370V
Fan Motor	810S037B01
Fan RLA	1.10
Fan Blade	51533-2
Fan Guard	70831
Fan Shroud	70727-2
Unit Drawing	SU1893-48
Electrical Drawing	90657-9

Condenser	50797-4
Crankcase Heater	N/A
Pressure Control	84026-5
Receiver Tank	51081-1
Rec. Tank RL Valve	31578-1 (3/8" Flare)
Suction Rotolock	31071-2 (5/8" Flare)

Optional Outdoor Enclosure-TP-201D

