



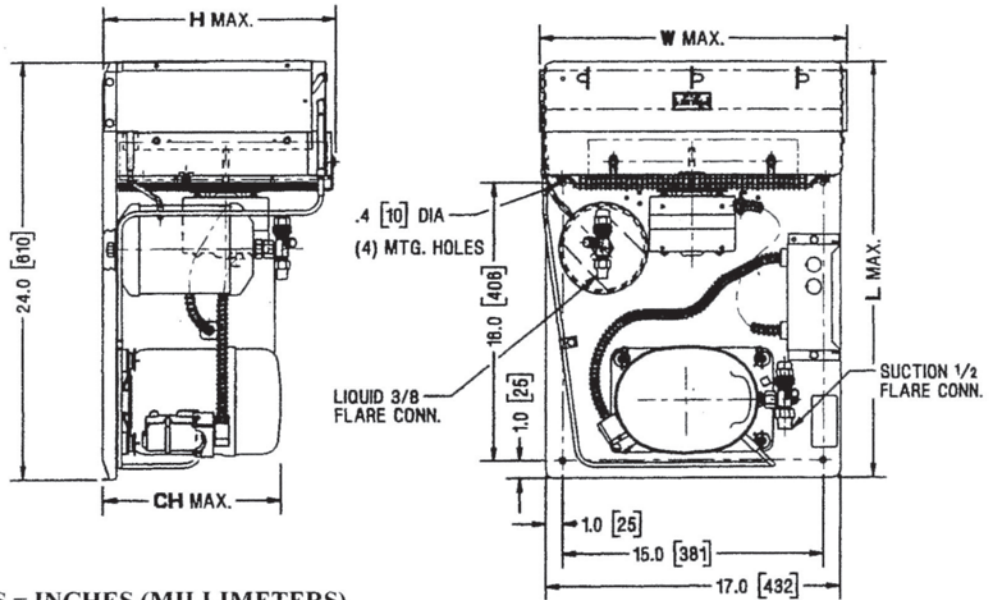
# TECUMSEH HERMETIC CONDENSING UNITS

AKA9463ZXDXC

March 10, 2000

Revision 2003

MODEL AKA9463ZXDXC (B/M 2B777-1) R-404A 3/4 HP AIR COOLED



NOTE DIMENSIONS = INCHES (MILLIMETERS)

Model	Dimensions				*Line Connection		Pumpdown 90° F 90% Full	Air CFM	Oil Chg oz.	Gr. Wt. Lbs.
	L	W	H	CH	Suct.	Liq.				
AKA9463ZXDXC	24.3	18.0	14.0	8.8	1/2F	3/8F	6.0	600	17	84

\*F=Flare, S=Solder, RF or RS= Rotolock Valve with Flare or Solder Connections  
Factory charge: 20 psig nitrogen - MUST BE EVACUATED 60 HZ Performance

Approved Evap. Range		Ambient								
		90° F			100° F			110° F		
°F	PSIG	BTUH	Watts	Head	BTUH	Watts	Head	BTUH	Watts	Head
-10	23.9	3190	1020	255	2650	995	285	2170	950	315
-5	28.2	3700	1090	260	3120	1035	295	2580	1035	325
0	32.8	4200	1160	270	3550	1150	300	2980	1120	335
5	37.9	4720	1230	280	4020	1225	310	3380	1210	345
10	43.3	5230	1300	290	4480	1300	320	3780	1300	355
15	49.2	5750	1380	295	4930	1390	330	4180	1390	365
20	55.5	6280	1450	305	5380	1470	340	4600	1480	375
25	62.2	6900	1530	315	5980	1550	350	5100	1575	385
30	69.5	7650	1610	325	6570	1640	365	5600	1670	395
35	77.2	8200	1690	340	7150	1730	375	6150	1770	405
40	85.5	8900	1780	350	7700	1830	385	----	----	-----

Based on 40° F return gas temp., 5° F subcooling

Date: January 2003  
Unit Catalog Update

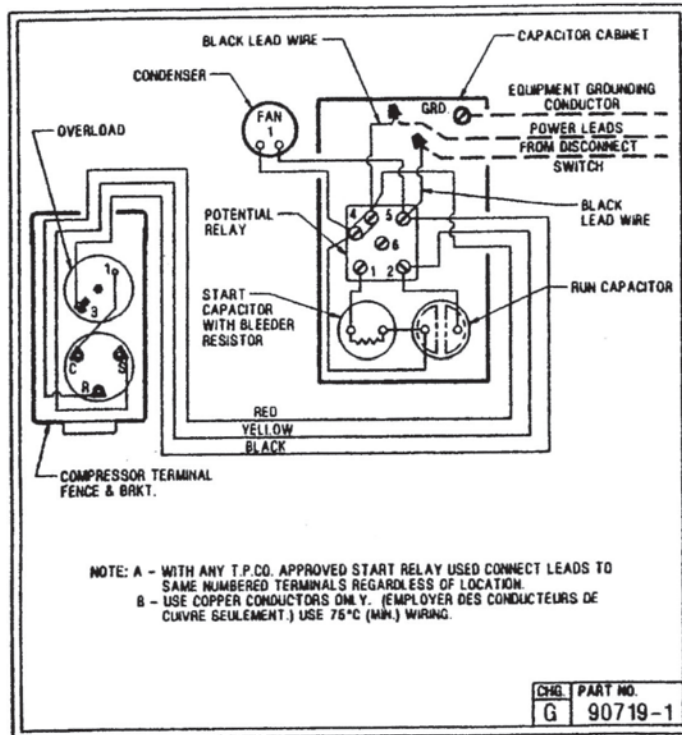
**SPECIFICATIONS** AKA9463ZDXC

Nominal Voltage 230/208-1  
Unit B/M 2B777-1  
Voltage Range 253 to 187  
Min. Circuit Ampacity 9.6  
Max. Fuse Size (Amps) 20

**Compressor Model** AKA9462ZXD

Comp. Bill of Material AK172ET-038  
RLA/LRA 6.8/34.0  
ESP Overload P83530  
ESP Relay P82960  
Capacitor Cabinet AE1197-063  
Start Capacitor 85685  
Rating 72-88MFD/330V  
Run Capacitor 85PR370E36/P85E69  
Rating 15MFD/370V

Fan Motor (OEM) 810S037B01  
Fan RLA 1.10 RLA  
Replacement Motor TFM372  
Fan Motor Bracket Grd. Mnt.  
Fan Blade 51563  
Shroud 70736-1  
Condenser K42-4  
Fan Guard 71062  
Receiver Tank 51081  
Receiver Tank Valve 31547-8 (3/8" F) RL  
Suction Rotolock 31579-1 (1/2" F) RL  
O' Ring Gasket 30334  
Optional Outdoor Enclosure TP-181D  
Crankcase Heater (If Inc) NA  
Unit Drawing SU1909-25  
Schematic or Elect. Drawing 90719-1



Some parts listed may be optional or listed as replacement parts.