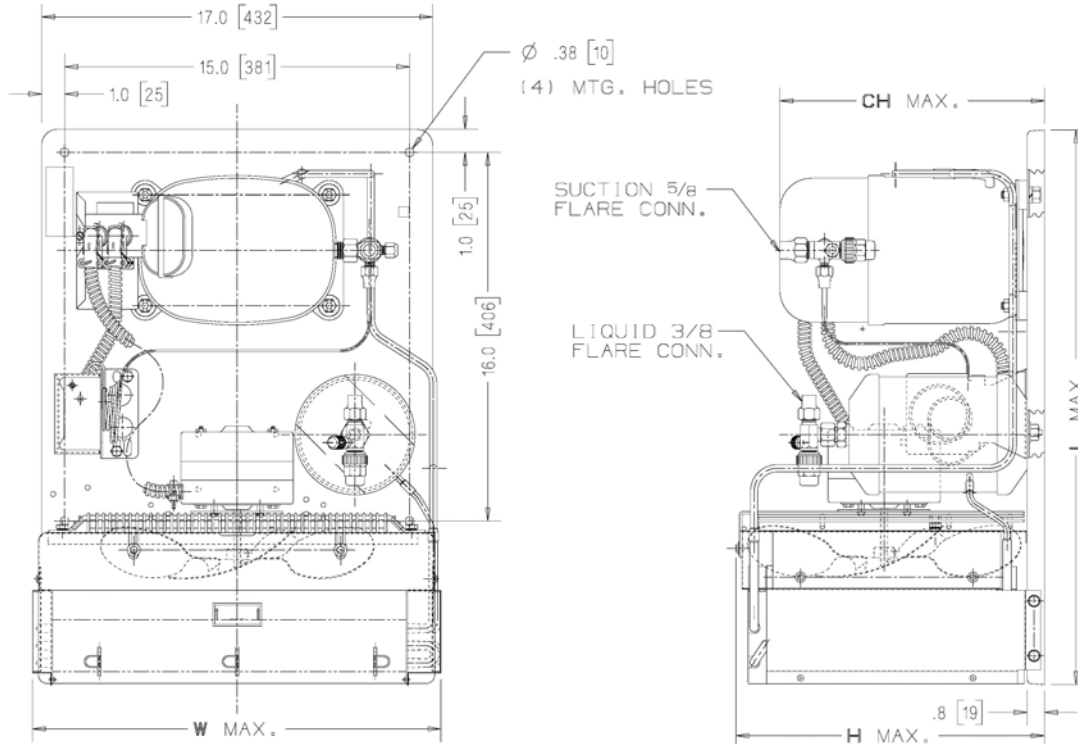




Tecumseh Compressor Company

Hermetic Condensing Units

Model: AJA7480ZDXC R-404A 1 HP AIR COOLED



Note: Dimensioning = Inches [mm]

Model	Dimensions, inches				Line Connection*		Pumpdown	Air	Oil Ch	Gr. Wt.
	L	W	H	CH	Suction	Liquid	90 °F 90%	SCFM	Oz.	Lbs.
AJA7480ZDXC	24.1	17.8	13.4	11.5	5/8 RF	3/8 RF	6.8 lbs.	600	782	120

* F = Flare, S = Solder, RF or RS = Rotolock with Flare or Solder Connections, C = Compression Fitting
 Factory charge: 20 PSIG Nitrogen – **MUST BE EVACUATED**

60 Hz Performance

Ambient Temperatures

Approved Evap. Range		90°F			100°F			110°F		
°F	PSIG	BTUH	Watts	Head	BTUH	Watts	Head	BTUH	Watts	Head
-10	23.6	4375	1279	268	3592	1044	298	2847	883	331
-5	27.9	5003	1489	280	4234	1253	310	3399	1055	343
0	32.6	5603	1687	291	4808	1449	322	3918	1216	355
5	37.7	6189	1876	303	5335	1631	334	4412	1368	367
10	43.2	6770	2053	315	5839	1799	347	4892	1509	379
15	49.1	7358	2221	328	6344	1955	359	5367	1640	392
20	55.4	7964	2378	340	6872	2096	373	5847	1762	404
25	62.2	8599	2525	353	7447	2224	386	6340	1873	417
30	69.6	9275	2661	367	8091	2339	400	6858	1975	431
35	77.2	10002	2787	380	8829	2440	414	7409	2066	444

Based on 40°F Return Gas, 5°F Subcooling

Specifications:

Model	AJA7480ZDXC
Nominal Volts-Hz-Ph	208-230/60/1; 200/50/1
Unit Bill of Material	2B1102-1
Voltage Range	187 to 253 Volts
Min. Circuit Ampacity	12.6
Max. Fuse Size	20 amps
Compressor Model	AJA7494ZXD
Comp. Bill of Material	AJ202ET-188-P2
Alt. Comp. Bill of Mat.	N/A
Compressor RLA/LRA	9.20 / 54.0 amps
Overload	Internal
Relay	820ARR3C71
Start Capacitor	855S250B87
Start Capacitor Rating	216-259 mfd @ 250 volts
Run Capacitor	85PR370F20
Run Capacitor Rating	25 mfd @ 370 volts

Fan Motor (2)	810S037B01 alt A62
Fan RLA	1.10 amps
Fan Blade (2)	51563
Fan Shroud	70736-1 Metal
Fan Guard	71062
Condenser	50802-6
Receiver Tank	51081
Rec. Tank Rotolock Valve	31547-8 (3/8" Flare)
Accumulator	N/A
Suction Rotolock Valve	31071-2 (5/8" Flare)
Rotolock O'Ring Gaskets	30334
Relay Box Assembly	AE1170-043A
Unit Drawing	SU1893-27
Electrical Drawing	90657-6
High Side Design Pressure	450 PSIG
Low Side Design Pressure	181 PSIG

